



**MH22 Hybrid
Precision Multi-Turn Potentiometer**

[HOME PAGE](#)

[Linear Motion Potentiometers](#)

[Single Turn Potentiometers](#)

[Multi-Turn Potentiometers](#)

[Industrial Joysticks](#)

[Foot Controllers](#)

[Valve Actuators](#)

[Turn Counting Dials](#)

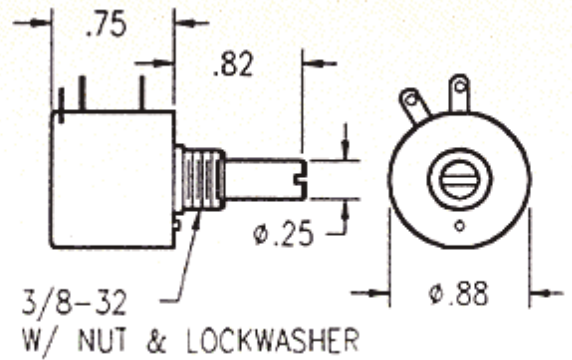
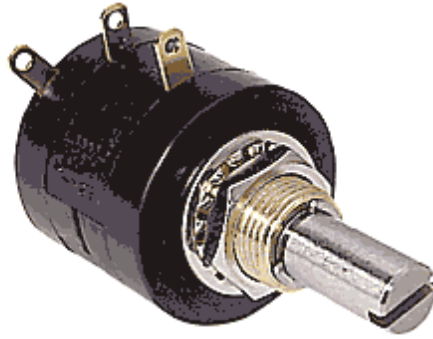
[Cross Reference](#)

[ETI Systems Sales Reps](#)

[ETI Systems Distributors](#)

RoHS/WEEE

Contact
ETI Systems at:
(760) 929-0749
eti@etisystems.com



MH22 Multi-Turn Potentiometer

- Available as 3, 5, and 10 turn models
- Hybrid Element. High Temp Thermo Plastic Housing
- Bushing Mount Standard. Servo Mount Available
- Recommended for Medical Equipment (non-life support), Test and Lab Equipment, Industrial Applications
- Life Expectancy: 10 million turns
- Resistance Tolerance: $\pm 10\%$ standard ($\pm 5\%$ special order)
- Linearity Tolerance: $\pm 0.3\%$ standard ($\pm 0.1\%$ special order)
- Power Rating: 2 Watt (10 turn), 1 Watt (5 turn), 1 Watt (3 turn)
- Torque: 0.7 oz. in. max.

- [Click here](#) for information on [Turn Counting Dials](#)



For Additional Product Information,
Refer to the [Multi-Turn Potentiometer Design Guide](#)

Request For Quotation (Requires User Registration)

Electrical Specifications:

Resistance Value (1K to 100K ohms standard)

Mechanical Options:

- **B** Bushing Mount - or -
- **S** Servo Mount (special order)
Number of Turns (10 turns standard)
- **HT** High Torque (special order)
- **SS** O-Ring Shaft Seal (special order)
- **SB** Sealed Body (special order)

Comments & Special Requirements:

Quantity Required

Date Required

Return to: [Multi-Turn Potentiometer Selection Guide](#)

Call ETI Systems at **(760)929-0749** to order by phone
or for assistance with your custom application